

HSF

NOTES:

- Current Rating: 1.0AMP
- Contact Resistance: 20mΩ Max
- Withstand Voltage: 500V AC/DC
- Insulation Resistance: 1000MΩ Min
- Operation Temperature: -40°C to +105°C
- Contact Material: Brass
- Contact plating: Au Or Sn over Ni
- Insulator Material: PA9T+30%G.F. UL94V-0

Ordering Information

3141-XX S XX B K00 X X

- No. of Pins
- Contact Plating
- Color Insulator
- Packing
- Series No.
- G3=Gold Flash
- B=Black
- A=Tray
- 1=Type 1
- 14 40
- G3=10u"Gold
- W=White
T=Tube
- 2=Type 2
- 16 50
- G4=15u"Gold
- S0=30u"Gold
- 20 60
- S0=Gold Flash/Tin
- 26 80
- S3=10u"Gold/Tin
- S4=15u"Gold/Tin
- 30 100
- S5=30u"Gold/Tin
- SN=Tin

Item	Pitch	Mating
Standard	1.27X2.54	5242
Alternate		

REV	DATE	MODIFICATION DESCRIPTION
A1	2012/11/15	modify
A0	2012/09/18	NEW

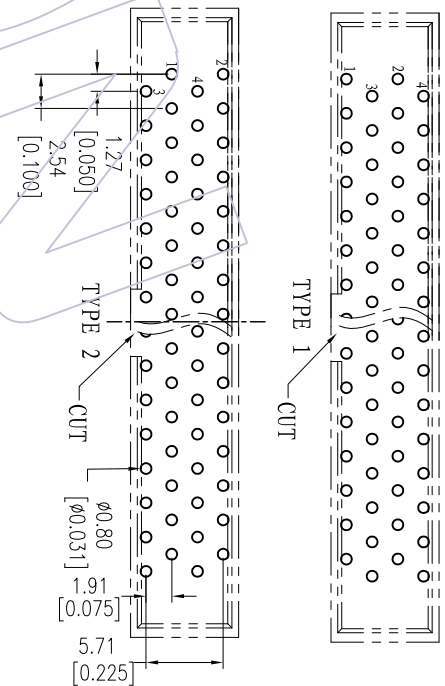
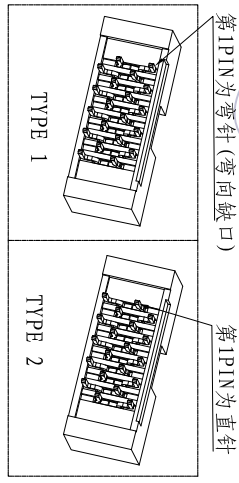
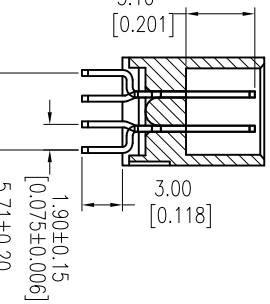
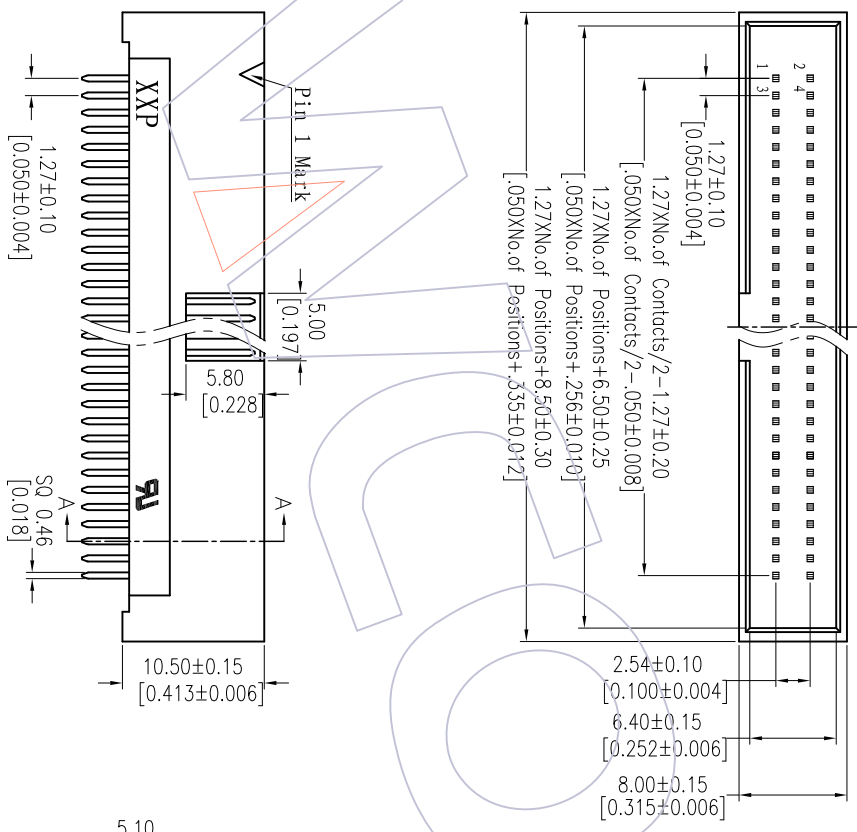
OPERATION	DRAW	DATE	SCALE	FIT
XX	Tsing sn	2012/11/15	UNIT	mm
XX	±0.40	CHECK	SIZE	A4
X.XXX	±0.25	DATE	SHEET	1/1
X.XXX	±0.15	APPROVE	PROJ.	
Angle	± 3'	DATE		
DIM	TOL			

PART NO.	3141-XXXXXXBK00XX
TITLE:	1.27x2.54 BOX HEADER
	H=10.5 FOUR ROW 180° DIP
Customer NO.	

WCON

Http: www.wcon.com

WCON-Dongguan Tel: +86 769 85358920 Fax: +86 769 85358915 E-mail: sales@wcon.com	WCON-Kunshan Tel: +86 512 57468408 Fax: +86 512 57468468 E-mail: sales@wcon.com
---	--



Recommended P.C.B. Layout (Top Side)
(PCB BOARD TOLERANCE ± 0.05)