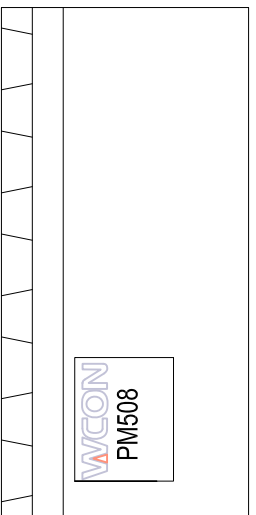
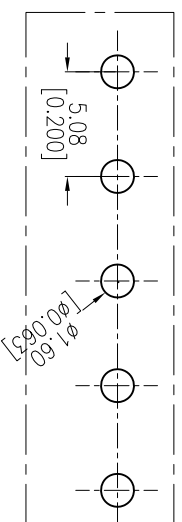


HSF

NOTES:

Current Rating:18A
 Voltage Rating:300V
 Contact Resistance:8milliohm Max
 Withstand Voltage:AC2000V
 Insulation Resistance:1000Megohm Min
 Operation Temperature:-40C to +105C
 Housing Material:PA66+30%GF(UL94V-0)
 Contact Material:Brass

Recommended P.C.B Layout(Top Side)
 (PCB BOARD TOLERANCE±0.05)

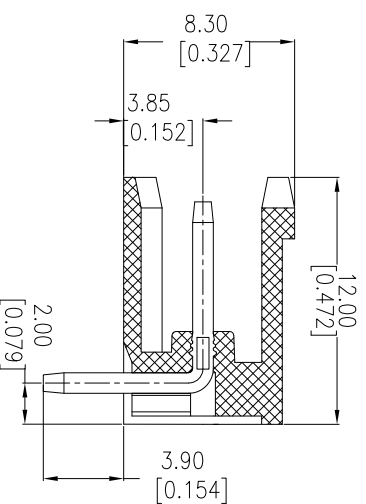
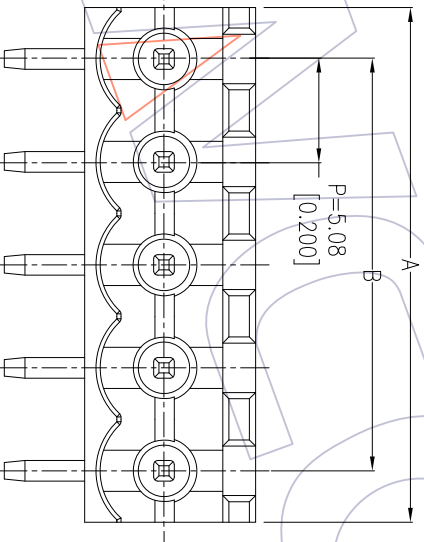


Ordering Information:

P M 508 - 1 R XX A SM 3
 M=Male Pitch 508=5.08 No.of Pins 02=2#Pins Color A=Green SM=Male Tin Series No. 02=2#Pins

13P	66.04 ±0.30	60.96 ±0.30			
12P	60.96 ±0.30	55.88 ±0.30	24P	121.92 ±0.50	116.84 ±0.50
11P	55.88 ±0.30	50.80 ±0.30	23P	116.84 ±0.50	111.76 ±0.50
10P	50.80 ±0.30	45.72 ±0.30	22P	111.76 ±0.50	106.68 ±0.50
9P	45.72 ±0.30	40.64 ±0.30	21P	106.68 ±0.50	101.60 ±0.50
8P	40.64 ±0.30	35.56 ±0.30	20P	101.60 ±0.50	96.52 ±0.50
7P	35.56 ±0.20	30.48 ±0.20	19P	96.52 ±0.40	91.44 ±0.40
6P	30.48 ±0.20	25.40 ±0.20	18P	91.44 ±0.40	86.36 ±0.40
5P	25.40 ±0.20	20.32 ±0.20	17P	86.36 ±0.40	81.28 ±0.40
4P	20.32 ±0.20	15.24 ±0.20	16P	81.28 ±0.40	76.20 ±0.40
3P	15.24 ±0.20	10.16 ±0.20	15P	76.20 ±0.40	71.12 ±0.40
2P	10.16 ±0.20	5.08 ±0.10	14P	71.12 ±0.40	66.04 ±0.40
PIN	A	B	PIN	A	B

ITEM	Pitch	Mating
Standard	5.08	PF508
Alternate		



OPERATION		DRAW	
XX	±0.40	Tsingsn	
X.XX	±0.25	CHECK	DATE
X.XXX	±0.15	DATE	DATE
Angle	± 3'	APPROVE	DATE
DIM	TOL	SHEET	PROJ.

PART NO. PMS08-1RXXASMS3
 TITLE: 5.08mm Pitch Male Pluggable Terminal Blocks
 Customer NO.

WCON
 Http: www.wcon.com
 WCON-Dongguan Tel: +86 769 85358920 Fax: +86 769 85358915 E-mail: sdes@wcon.com
 WCON-Kunshan Tel: +86 512 57468408 Fax: +86 512 57468468 E-mail: sdesks@wcon.com

A2	2013/06/05	Modify The Housing Material			
A1	2012/05/17	Modify PMS08-04-XX-A-SM → PMS08-1RXXASMS3			
A0	2011/06/08	NEW			
REV	DATE	MODIFICATION DESCRIPTION	CHANGE		