

HSF

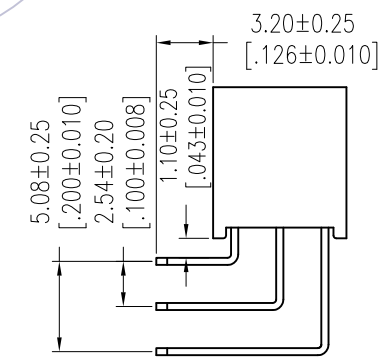
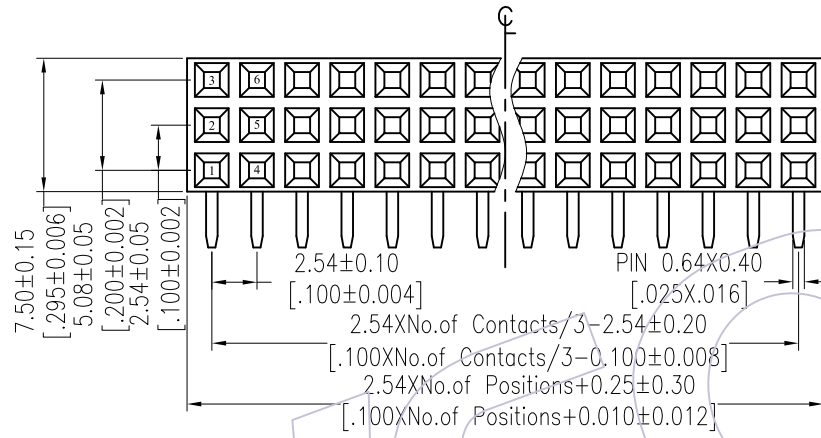
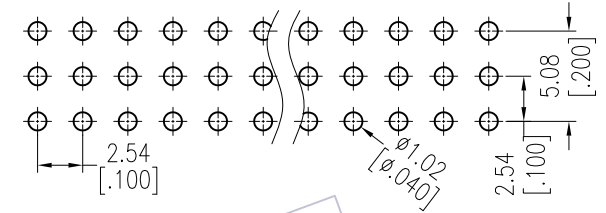
NOTES:

Current Rating: 3.0AMP
 Contact Resistance: 20mΩ Max
 Withstand Voltage: 1000V AC/DC
 Insulation Resistance: 1000MΩ Min
 Operation Temperature: -40°C to +105°C

Contact Material: Phosphor Bronze Or Brass
 Contact plating: Au Or Sn over Ni
 Insulator Material: PA9T+30%G.F UL94V-0(Std)



Recommended P.C.B Layout(Top Side)
 (PCB BOARD TOLERANCE ±0.05)



Ordering Information

2185 - 3 XX R XX C Y N T 1

- No. of Pins per ROW: 02-40PIN
- Contact Plating: G0=Gold Flash, G3=10μ"Gold, G4=15μ"Gold, G5=30μ"Gold, S0=Gold Flash/Tin, S3=10μ"Gold/Tin, S4=15μ"Gold/Tin, S5=30μ"Gold/Tin, SN=Tin, SM=Matte Tin
- Insulator: C=PA9T
- Packing: T=Tube, A=Tray

| Item | Pitch | Mating |
|-----------|-------|----------------|
| Standard | 2.54 | 1115/1120/1125 |
| Alternate | | |

| REV | DATE | MODIFICATION DESCRIPTION | CHANGE | OPERATION | DRAW | DATE | SCALE | FIT | PART NO. |
|-----|------------|--------------------------|--------|-------------|-----------|------------|-----------|-----|--------------------------------------|
| | | | | X.X ±0.40 | Surong Xu | 2016/09/06 | UNIT mm | | 2185-3XXRXXCYNT1 |
| A1 | 2016/09/06 | CANCEL PBT | | X.XX ±0.25 | CHECK | DATE | SIZE A4 | | TITLE: FH2.54 THREE ROW 90°DIP H=8.5 |
| AO | 2012/08/15 | NEW | ----- | X.XXX ±0.15 | APPROVE | DATE | SHEET 1/1 | | Customer NO. |
| | | | | Angle ± 3° | | | PROJ. | | |
| | | | | DIM TOL | | | | | |

WCON

Http: www.wcon.com

WCON-Dongguan Tel: +86 769 85358920 Fax: +86 769 85358915 E-mail: sales@wcon.com
 WCON-Kunshan Tel: +86 512 57468408 Fax: +86 512 57468468 E-mail: salesks@wcon.com