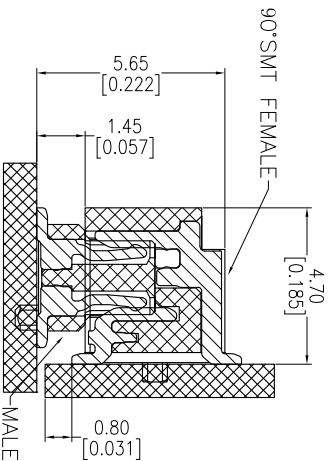


NOTES:  
 Current Rating:0.5AMP  
 Contact Resistance:30mΩ max  
 Withstand Voltage:500V AC/DC  
 Insulation Resistance:100MΩ min  
 Operation Temperature:-20°C to +105°C  
 Contact Material:Phosphor Bronze  
 Housing Material:PA9T(UL94V-0)  
 Contact plating:Au or Sn over Ni

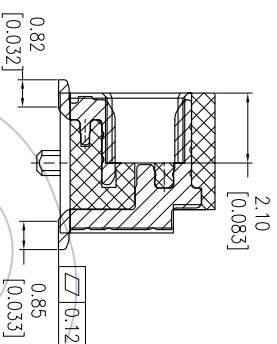
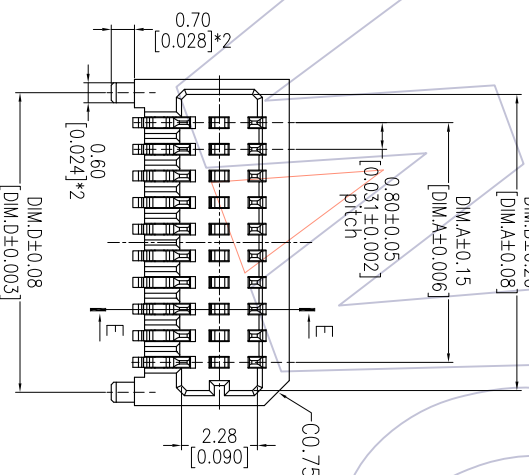
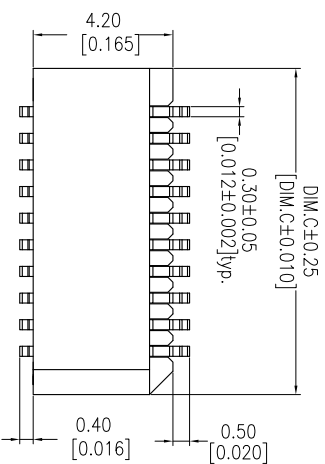
## Ordering Information

3612-S XXX - 047 XX R 02

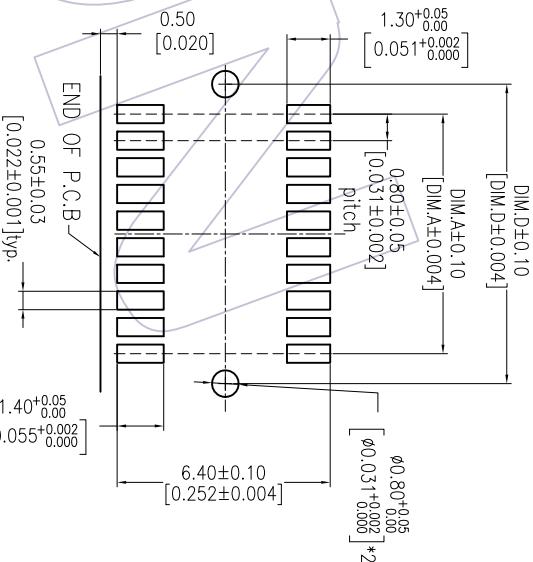
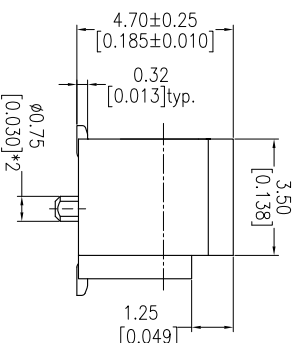
No of Pins Housing High Contact Plating  
 T=Tube  
 GI=3u"Gold  
 G3=5u"Gold  
 SI=3u"Gold/Tm  
 S2=5u"Gold/Tm



MATED DRAWING(REF.)



SECTION E-E  
SCALE 1:1



17.00	17.80	16.90	15.20	40
16.20	17.00	16.10	14.40	38
15.40	16.20	15.30	13.60	36
14.60	15.40	14.50	12.80	34
13.80	14.60	13.70	12.00	32
13.00	13.80	12.90	11.20	30
12.20	13.00	12.10	10.40	28
11.40	12.20	11.30	9.60	26
10.60	11.40	10.50	8.80	24
9.80	10.60	9.70	8.00	22
9.00	9.80	8.90	7.20	20
8.20	9.00	8.10	6.40	18
7.40	8.20	7.30	5.60	16
6.60	7.40	6.50	4.80	14
5.80	6.60	5.70	4.00	12
5.00	5.80	4.90	3.20	10
DIM.D	DIM.C	DIM.B	DIM.A	PIN NO.

OPERATION	SCALE	FIT	PART NO.	WCON-Dongguan		WCON-Kunshan	
XX	mm	inch	3612-SXXX-047XXR02	Tel: +86 769 85358920		Tel: +86 512 57468408	
XX	A4	1/1	0.80mm B TO B	Fax: +86 769 85358915		Fax: +86 512 57468468	
XX	SHEET	1/1	W" FEMALE 90° SMT TYPE	E-mail: sales@wcon.com		E-mail: sales@wcon.com	
XX	PROJ.		Customer NO.				

DATE	DATE	DATE	DATE	DATE	DATE	DATE	DATE
2013/03/22	2013/03/22	2013/03/22	2013/03/22	2013/03/22	2013/03/22	2013/03/22	2013/03/22

REV	DATE	DESCRIPTION	CHANGE	OPERATION	CHECK	APPROVE	DATE	SCALE	FIT	PART NO.	WCON-Dongguan		WCON-Kunshan	
A0	2013/03/22	NEW		XX	XX	XX	XX	mm	inch	0.80mm B TO B	Tel: +86 769 85358920		Tel: +86 512 57468408	
				XX	XX	XX	XX	A4	1/1	W" FEMALE 90° SMT TYPE	Fax: +86 769 85358915		Fax: +86 512 57468468	
				XX	XX	XX	XX	SHEET	1/1	Customer NO.	E-mail: sales@wcon.com		E-mail: sales@wcon.com	
				XX	XX	XX	XX	PROJ.						



Http: www.wcon.com

WCON-Dongguan WCON-Kunshan

Tel: +86 769 85358920 Tel: +86 512 57468408

Fax: +86 769 85358915 Fax: +86 512 57468468

E-mail: sales@wcon.com E-mail: sales@wcon.com