

HSF

NOTES:

Rated Current:3A
 Rated Voltage:250V AC/DC
 Contact Resistance:20mΩ max
 Withstand Voltage:1000V AC/Minute
 Insulation Resistance:1000MΩ min
 Operation Temperature:-25℃ to+85℃

Contact Material:Brass
 Contact Plating:Au Or Sn over Ni
 Insulator Material:PA46+15%G.F (UL94V-0)

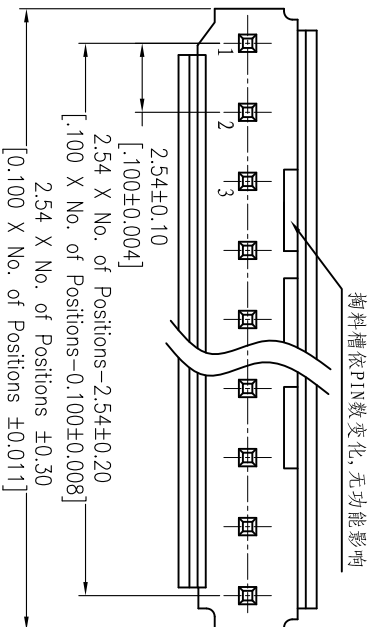
Ordering Information

WF2547 - 1 WZ XX X X 1

No. of Row Single Row No. of pins 02P-20P Contact Plating S0=Gold Flash/Tin S3=10u"Gold/Tin S4=15u"Gold/Tin S5=30u"Gold/Tin G0=Gold Flash G3=10u"Gold G4=15u"Gold G5=30u"Gold SM=Matte Tin

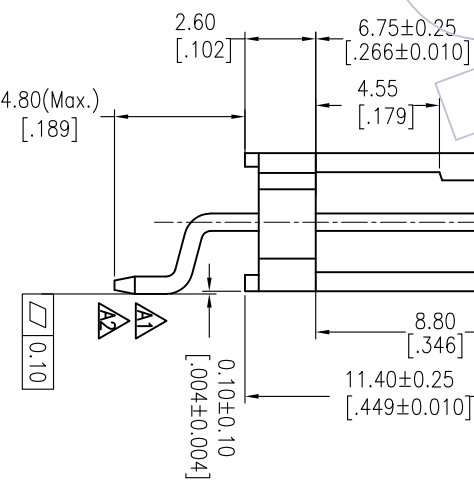
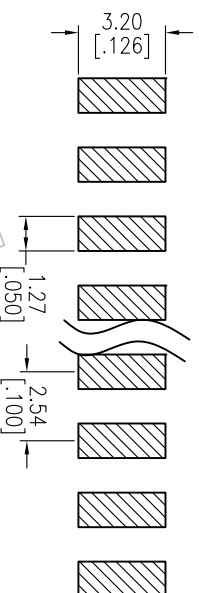
Color B=Black R=REEL T=Natural T=TUBE

Packaging S00.64±0.02 [.025±0.001]



掣料槽依PIN数变化, 无功能影响

Recommended P.C.B Layout(Top Side)
 (PCB BOARD TOLERANCE±0.05)



REV	DATE	MODIFICATION DESCRIPTION	CHANGE	OPERATION	DRAW	DATE	SCALE	FIT	PART NO.	TITLE:	WCON-Dongguan	WCON-Kunshan
A2	2015/01/05	修改端子SMT脚形状		XX	JYhuang	2015/01/05	mm	A4	WF2547-1WZXXXXXX1	2.54 WAFER SINGLE ROW 90° SMT "T" TYPE	Tel: +86 769 85358920	Tel: +86 512 57468408
A1	2013/10/24	0.10±0.10 → 0.10±0.10, 修改端子SMT脚形状		X.XXX	CHECK		SIZE	A4			Fax: +86 769 85358915	Fax: +86 512 57468468
A0	2012/09/19	NEW		X.XXX	APPROVE		SHEET	1/1	Customer NO.		E-mail: sales@wcon.com	E-mail: wconks@wcon.com

WCON

Http: www.wcon.com

WCON-Dongguan
 Tel: +86 769 85358920
 Fax: +86 769 85358915
 E-mail: sales@wcon.com

WCON-Kunshan
 Tel: +86 512 57468408
 Fax: +86 512 57468468
 E-mail: wconks@wcon.com