

HSF

NOTES:

1. MATERIAL:

- 1.1 HOUSING: PA66+30%GF(UL94V-0) Δ
- 1.2 COVER: PA66+30%GF(UL94V-0) Δ
- 1.3 TERMINAL: BRASS, MATTE TIN PLATED OVER NICKEL

2. ELECTRICAL:

- 2.1 CURRENT RATING: 8 A
 - 2.2 VOLTAGE RATING: 300 V
 - 2.3 CONTACT RESISTANCE: 8 m Ω MAX
 - 2.4 DIELECTRIC WITHSTANDING VOLTAGE: 2000V AC
 - 2.5 INSULATION RESISTANCE: 1000 M Ω MIN
3. ENVIRONMENTAL:
- 3.1 OPERATION TEMPERATURE: -40°C TO +105°C
 - 4. No. OF POSITIONS: 2~20
 - 5. ALL MATERIALS SHOULD BE COMPLIANT TO ROHS

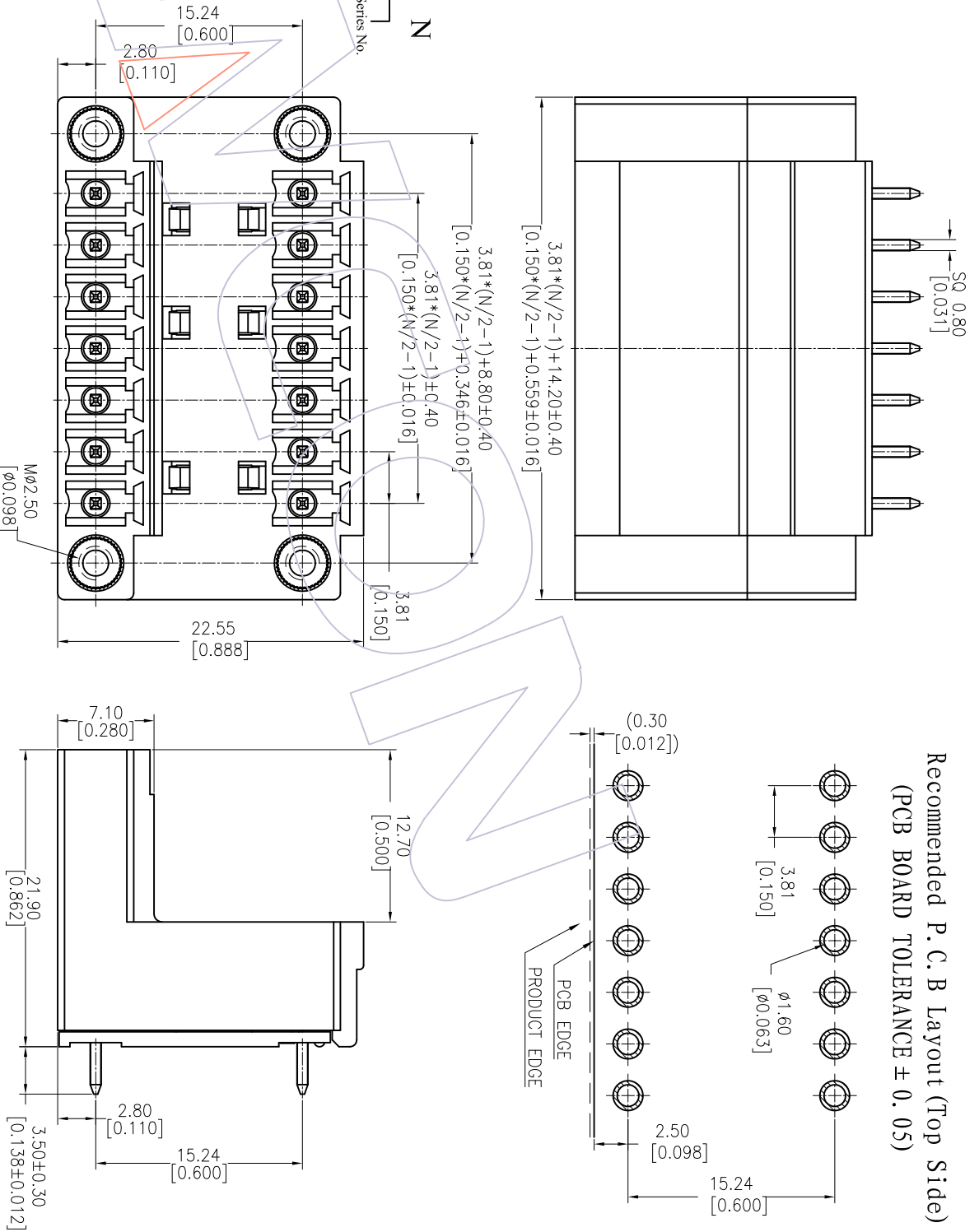
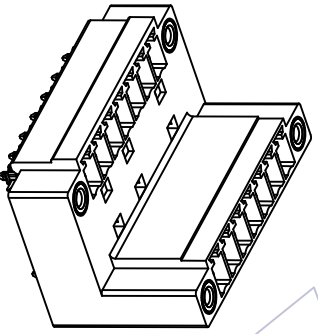
Ordering Information:

P M 381 - 3 S XX X SM 2 N

M=Male Pitch 381=3.81

No. of Pins 02-20P Color A=Green SM=Matte Tin

Series No.



REV	DATE	MODIFICATION DESCRIPTION	CHANGE	OPERATION	DRAW	DATE	SCALE	FIT	PART NO.	WCON-Dongguan	WCON-Kunshan
A1	2013/06/05	Modify The Housing and Cover Material	Δ	XX	Tsingna	2013/06/05	mm	inch	PM381-3SXXXSM2N	Http: www.wcon.com	
A0	2013/01/30	NEW		X.XXX	CHECK		A4		3.81mm Pitch Male Pluggable Terminal Blocks Double Stagger Tier With Flange	Tel: +86 769 85358920	Tel: +86 512 57468408
				Angle	APPROVE	DATE	1/1		Customer NO.	Fax: +86 769 85358915	Fax: +86 512 57468468
				DIM	PROJ.					E-mail: sdes@wcon.com	E-mail: sdesks@wcon.com

WCON

WCON-Dongguan
Tel: +86 769 85358920
Fax: +86 769 85358915
E-mail: sdes@wcon.com

WCON-Kunshan
Tel: +86 512 57468408
Fax: +86 512 57468468
E-mail: sdesks@wcon.com