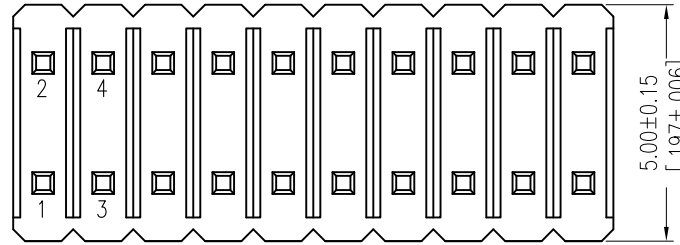


HSF

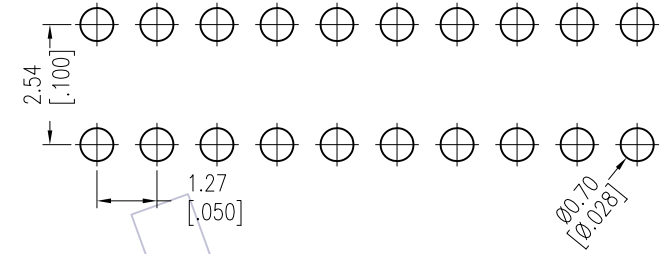
NOTES:

Rated Current:1.0AMP.
 Contact Resistance:20mΩ Max.
 Withstand Voltage:500V AC/DC
 Insulation Resistance:1000MΩ Min.
 Operation Temperature:-40°C to +105°C

Contact Material:Brass
 Contact Plating:Au or Sn Over Ni
 Insulator Material:PA9T+33%G.F UL94V-0 BK



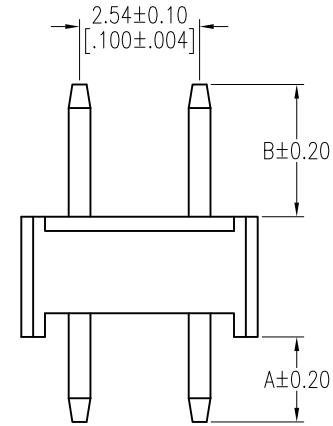
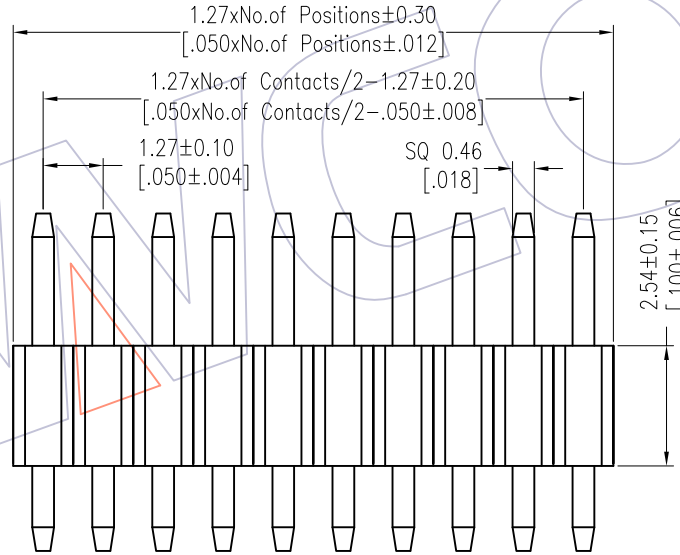
Recommended P.C.B Layout (Top Side)
 (PCB BOARD TOLERANCE±0.05)



Ordering Information

1425-12 XX XX S XXX C A XX

No.of Pins	Contact Plating	Pin Length	Insulator	Packing	Series No.
Per Row:02~50	G0=Gold Flash	L=A+B+2.5	C=PA9T	A=Tray	01~99
	G3=10u"Gold	Std:071=7.1			
	G4=15u"Gold	103=10.3			
	G5=30u"Gold				
	S0=Gold Flash/Tin				
	S3=10u"Gold/Tin				
	S4=15u"Gold/Tin				
	S5=30u"Gold/Tin				
	SN=Tin				
	SM=Matte Tin				



Item	Pin Length	A	B	Mating
Standard	7.1	1.80	2.80	2446
	10.3	1.80	6.00	2485
Alternate				

REV	DATE	MODIFICATION DESCRIPTION	CHANGE	OPERATION	DRAW	DATE	SCALE	Fit	PART NO.
				x.X ±0.40	William Chen	2018/01/12	UNIT	mm [inch]	1425-12XXXXXXCXXX
A1	2018/01/12	MODIFY PART NO.	-----	x.XX ±0.25	CHECK	DATE	SIZE	A4	TITLE: 1.27*2.54 Pin Header, DUAL ROW, S/T, H=2.54
AO	2012/04/06	NEW	-----	x.XXX ±0.15	APPROVE	DATE	SHEET	1/1	Customer NO.
				Angle ± 3'			PROJ.		
				DIM TOL					

WCON
 Http: www.wcon.com

WCON-Dongguan
 Tel: +86 769 85358920
 Fax: +86 769 85358915
 E-mail: sales@wcon.com

WCON-Kunshan
 Tel: +86 512 57468408
 Fax: +86 512 57468468
 E-mail: salesks@wcon.com